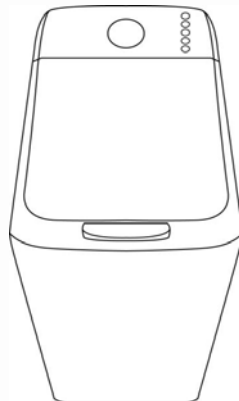


Brandt



INSTRUCTION MANUAL EN

Washing machine



**BT650MA
BT653MA
BT653HQA**



This appliance has been designed exclusively for domestic use for washing linen.

Very important : Read this user guide before installing and using this appliance.

RECOMMENDED LOADS :


- The maximum capacity of the appliance is 6,5 kg.

SAFETY



The following instructions must be respected :

INSTALLATION :

- The pressure of the water supply must be between 0.1 and 1 MPa (1 and 10 bars).
- Do not use an extension, adapter, multi-socket or a timer plug.
- The electrical installation must be able to withstand the maximum power indicated on the rating plate and the plug must be properly grounded.
- Once your appliance has been installed, the plug must remain accessible.
- Only use the hose and the new seals  supplied with the appliance.
- If the power cord is damaged, have it changed by the After Sales Service or a qualified professional to avoid any risks.
- We recommend that the appliance is not placed onto a mat or carpet to avoid hampering the circulation of air at its base.
- If a problem occurs that you cannot solve (see page 11), do not attempt to repair the machine yourself. Call the customer service.

USE :

- This appliance may be used by children of 8 years or older and by persons with limited physical, sensorial or mental capacities or without experience or knowledge of it, provided that they are correctly supervised or if they are given instructions on the use of the appliance in complete safety if the risks incurred are understood. Children should be supervised to ensure that they do not play with the appliance and prevent children of less than 3 years old from playing with it, unless they are constantly supervised.

**USE (continued) :**

- The device should not be cleaned or maintained by unsupervised children.
- Do not load linen that has been treated with stain removers, solvents or inflammable products –straight after they have been treated (risk of explosion)
- This washing machine is fitted with a safety device to prevent any spillage of water.
- At the end of the cycle, ensure the water tap is switched off and the appliance unplugged.

ENVIRONMENT

This washing machine has been designed to respect the environment.

PROTECTING THE ENVIRONMENT

The dose of washing product depends on how dirty the laundry is and the hardness of the water. Do not exceed the dose recommended by the manufacturer of the washing product.

This appliance's packaging material is recyclable.

Help protect the environment by placing the packaging into the municipal containers provided for this purpose.



Your washing machine also contains many recyclable materials, it features this logo to remind you that used appliances must not be mixed with other waste.

The appliance must therefore be recycled in compliance with the European directive 2012/19/EU on used electrical and electronic equipment.

Contact your town hall or your retailer for the used appliance collection points closest to your home.

ENERGY SAVING

Only programme a prewash when it is absolutely necessary. For linen that is not very or normally dirty, a low temperature programme is sufficient.



1.1 - UNPACKING *(Diagram 1.1.2 to 1.1.4)*



The following instructions **must** be respected :

- Remove the chocks from the lid and flaps of the drum and open and close the drum carefully.
- Lift the washing machine and remove the motor **B** chock and base **A** *(Diagram 1.1.2)*.
- Remove the strip **C** and place the stoppers in the holes **D** *(Diagram 1.1.3)*.
- Remove the 3 hose support clips, **E** and place the stoppers in the 3 holes (very important) **F** *(Diagram 1.1.4)*.

1.2 - CONNECTION TO THE WATER SUPPLY

(Diagram 1.2)

Connect the feed pipe with its new washers to the coupling on the rear of the washing machine and to a tap with a threaded Ø 20x27 endpiece.

1.3 - DRAINING *(Diagram 1.3)*

Position the drain hose, fitted with the curved part, **H** ensuring that the instructions shown on the diagram are respected and especially that the connection is not air-tight: air must pass freely between the drain hose and the drain to avoid used water from flowing back up the hose into the machine and bad smells being caused.

1.4 - LEVELLING THE MACHINE *(Diagram 1.4)*

The appliance must be installed on a horizontal floor. If required, and if it is equipped with adjustable feet at the front of the appliance, stabilise your washing machine so that it is level. If it is fitted with retractable castors, it may be moved by pulling the lever underneath the appliance completely to the left.

1.5 - ELECTRICAL CONNECTION *(Diagram 1.1.1)*

Ensure that the indications on the data plate of the Appliance are respected.

1.6 - CLEANING BEFORE USE

Once installed, your washing machine must be cleaned by programming a cotton cycle at 90°C with nothing inside and with half a dose of washing powder.



RECOMMENDATIONS :

- Before inserting the linen, sort it by colour, how dirty it is and the type of textile. Empty all pockets, close zips, removes hooks from curtains, place Small items of underwear in a mesh bag.
- Remove any loose buttons, pins and clips.
- Knot belts, and ties for aprons, etc.

2.1 - LOADING YOUR WASHING *(Diagram 2.1)*

Operate the handle of the lid and open the drum by pushing the button **A**.



Once the linen has been put in, ensure that the drum has been closed properly. Ensure that the edge of the button is visible.

2.2 - WASHING PRODUCTS AND ADDITIVES

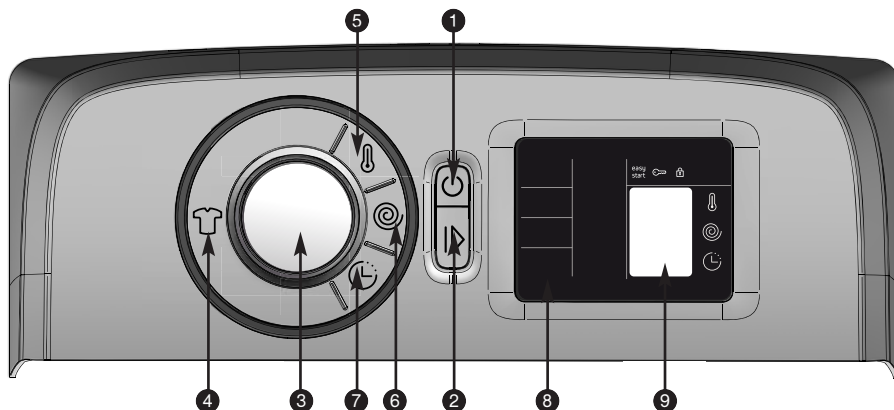
(Diagram 2.2)

The product drawer has 3 compartments :

- ① pre-wash (powder), ② wash (powder or liquid),
- ⊗ softener.
- Use detergents that are certified for domestic washing machines.
- Do not use liquid detergents with the pre-wash cycle and/or delayed start.
- Do not exceed the **MAX** level.

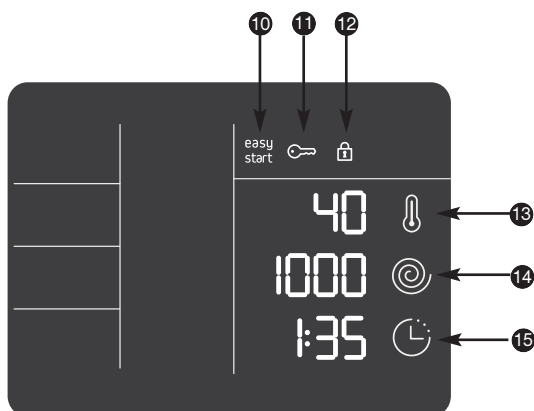


3.1 - THE CONTROL PANEL



- 1 On / Off
- 2 Start/Pause
- 3 Selector
- 4 Selecting the Programme
- 5 Selecting the temperature
- 6 Selecting the spin speed
- 7 Programming a delayed start
- 8 Options
- 9 Display

CLOSE-UP OF THE DISPLAY 9



- 10 "Easy start" function
- 11 Child safety lock
- 12 Door lock
- 13 Temperature
- 14 Spin speed
- 15 Delayed start / Time remaining



3.2 - PROGRAMMING A WASH CYCLE

STARTING THE APPLIANCE

Press the "On/Off" button **1**.

When using your washing machine for the first time, the manufacturer's programme will appear, and then your preferred programme will be displayed automatically, thanks to the "Easy start" function. The indicator **10** is on. If this programme suits you, press "Start/Pause" **2** to start the programme.

CONFIGURING THE WASH PROGRAMME

If desired, you can change the wash programme by pressing key **4**.

Select your programme by turning the selector **3**. The LED corresponding to the chosen programme flashes. Confirm your selection by pressing the selector. The LED stops flashing and stays lit.

CONFIGURING THE TEMPERATURE, SPIN SPEED AND OPTIONS

If desired, you can change the temperature by pressing key **5**. The LED is steadily lit to show that you are in selection mode.

Turn the selector **3** until the desired temperature appears in area **13** of the display **9**. Confirm by pressing the selector (the LED goes out).

Nota : For a cold wash, change the temperature to «0».

You can use key **6** to modify the spin speed (automatically limited for certain programmes). The LED is steadily lit to show that you are in selection mode. Turn the selector **3** until the desired spin speed appears in area **14** of the display **9**. Confirm by pressing the selector (the LED goes out).

You can select any options using keys **8**.

A warning beep informs you of any options that are not compatible with your programme.

Press "Start/Pause" **2** to start your programme. The door lock indicator **12** lights up.

The estimated duration of the programme appears in area **15** of the display **9**. A few minutes after the cycle is launched, the duration is updated according to the quantity and type of laundry in the machine.

DELAYED START OF A PROGRAMME

Select your programme.

Press "Delayed Start" **7**. The corresponding LED is steadily lit to show that you are in selection mode. Turn the selector **3** in order to delay the start of your programme by hourly intervals until the desired delay time (max. 24 hours) is displayed in area **15** of the display **9**. Press the selector **3**, then "Start/Pause" **2** to confirm.

An animation shows the waiting period preceding the start of the cycle. Area **15** of the display **9** shows the time remaining until the start of the programme via a countdown in hours, then in minutes during the last hour.




3.2 - PROGRAMMING A WASH CYCLE (continued)

ADDING OR REMOVING AN ITEM DURING THE CYCLE (impossible during spin)

Press and hold the "Start/Pause" button **2** to interrupt the programme.

The time remaining flashes and the door lock indicator **12** goes out.

Insert or remove the linen.

 The time taken to unlock the door depends on the temperature inside the machine and can last up to several minutes for safety reasons.

Press "Start/Pause" **2** to restart the programme. The countdown resumes.

Nota : If you have selected a delayed start, you can open the drum at any time before the wash programme starts.

CANCELLING A PROGRAMME

Press and hold the "On/Off" button **1** .

All the lights go out.

This operation may be made at any time, during the cycle or when programming or even when paused.

Nota : In all cases, cancelling a programme means that you have to re-programme everything from the start again (see *paragraph 3.2*).

Information :

In the event of a power cut, the cycle will automatically restart from the point where it stopped, as soon as the power returns.

END OF THE WASHING CYCLE

The display shows "Stop" (*Diagram 3.2.1*) and the door lock indicator **12** goes out.

You can programme a new cycle without having to press the "On/Off" key **1** .

This display is automatically switched off after a maximum of 5 minutes in order to save energy in standby mode.

Open the lid and remove the linen.

Some models automatically position the drum with the opening at the top to make it easier to take the linen out. This operation only lasts 3 minutes at most.

Press and hold the "On/Off" **1** button to switch off the washing machine.

CHILD SAFETY



Activate "Child safety" to lock your programme by pressing the first and second options buttons at the same time. Once this safety device is active, light **11** , corresponding to the (🔒) symbol ,comes on.

Simultaneously press the same buttons again to switch off the "Child safety" function.



PROGRAMME COTTON Prewash

To remove earth, sand, blood... This sequence includes a wash in clean water.

 It is also necessary to put a detergent (washing powder only) in the prewash product compartment  (Diagram 2.2).

DELICATES PROGRAMME


This programme is specially designed for an ultra gentle wash (swing wash) that does not felt or pill even your most delicate wools. It is advisable to turn your woollen clothes inside out before washing them.

PROGRAMME OPTIA 39 minutes

This 40°C programme enables you to wash a usual load of cottons and mixed textiles in 39 minutes while ensuring perfect washing results.

PROGRAMME FLASH 25 minutes

Program at 30° C for 25 minute washing cycle, maximum of 2.5 kg of lightly soiled cotton or mixed laundry.

 **Important :** For this programme, the doses of detergent should be reduced by half.

SPORT PROGRAMME

For technical textiles. Wash designed to preserve the elastic fibres contained in sportswear and not slacken them.

JEANS PROGRAMME

Programme especially designed to reduce creases and fading. Additional rinsing to remove all traces of detergent.

SHIRT PROGRAMME

This programme is specially designed to wash six moderately soiled shirts that have been worn for one day in less than 40 minutes. The spin speed is adjusted to limit wrinkling.

PROGRAMME FOR BABY CLOTHES

The machine's mechanical effect is increased to ensure that the baby clothes are spotless. In-depth rinsing to better protect the baby's skin.

RINSE/SPIN PROGRAMME

When this programme is selected, the "Sensitive skin" option is activated automatically. Deactivate this option for spin drying only.

SENSITIVE SKIN OPTION

Add an extra rinse. Ideal for people with delicate skin.

EASY IRONING OPTION


Wash and spin dry speeds adapted to avoid crumpling of the linen.

DEGREE OF SOILING +/- OPTION

Use this button to shorten or lengthen the wash cycle between two levels that can be chosen by pressing the button successively.

– Level 1 is for dirty laundry and increases the length of the cycle by 15% on average (Diagram 3.2.2).

– Level 2 is for laundry that needs refreshing and reduces the length of the cycle by 40% on average (Diagram 3.2.3).

 **Important :** For this programme, the doses of detergent should be reduced by half.

DARK COLOURS OPTION

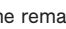
Enables your washing machine to take care of your darks and prevent creases and traces of detergent.

FUNCTION DRIP DRY ()

With very delicate laundry, this function empties the washing machine without spin drying.

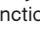
FUNCTION FULL DRUM STOP ()

This function enables you to remove the washing from your machine before the spin phase or to delay this phase with you washing remaining in water to prevent creasing.

When the machine has stopped with a full drum, the "Rinse/Spin" programme indicator flashes, as well as the "" icon, and the time remaining indicator shows "00:00".

Then:

If you want to drain and spin, select a spin speed suitable for the type of laundry using the selector. Press the selector to confirm.

Or, if you want to drain only, use the selector to choose the "drip dry" function (spin speed ""), then press the selector to confirm.

The programme will stop automatically.



Programmes table								
Programmes	Temperature (°C)	Maximum weight of dry clothes	Sensitive skin	Easy ironing	Soiling +/-	Dark colours	Drip-dry	Full drum stop
COTTON / TOWELS	Cold - 90	6,5 kg	●	●	●	●	●	●
COTTON ECO	Cold - 60	6,5 kg					●	●
COTTON PREWASH	Cold - 40	6,5 kg	●	●	●	●	●	●
SYNTHETICS	Cold - 60	2,5 kg	●	●	●	●	●	●
DELICATES	Cold - 30	1,0 kg	●				●	●
Special programmes								
OptiA 39 minutes	Cold - 40	3,0 kg	●				●	●
Flash 25 minutes	Cold - 40	2,5 kg					●	●
Sport	Cold - 40	2,5 kg	●	●	●	●	●	●
Jeans	Cold - 40	2,5 kg	●	●	●	●	●	●
Shirts	Cold - 40	1,5 kg	●	●	●	●	●	●
Baby clothes	Cold - 90	6,5 kg	●	●	●	●	●	●
Additional programmes								
Rinse / Spin	-	-	●				●	●

TEST PROGRAMMES ACCORDING TO DELEGATED REGULATION (UE) N°1061/2010

- Standard cotton programme at 60°C : Cotton ECO - - no option - max spin.
- Standard cotton programme at 40°C : Cotton ECO - - no option - max spin.



Opti 4

Your washing machine can automatically optimise the length of the wash cycle and the water and energy consumption of every wash.

- Adjustment to the quantity of laundry:

Washing 1kg of laundry is not the same as washing a full load, which is the reason why your washing machine is equipped with sensors that detect the quantity of laundry in the drum and automatically calculate the right levels of water and energy required to produce a perfect wash.

- Adjustment to the hardness of the water:

The hardness of the water in your mains supply affects the wash and rinse performances of your appliance, which is the reason why your washing machine automatically adapts the tumble time and the number of rinses to produce a perfect result. The water hardness is adjusted when you use your washing machine for the first time (see special insert).

- Adjustment to the degree of soiling:

The length and the intensity of the wash depend on how dirty your laundry is, which is the reason why your appliance can vary the length of the wash cycle by up to 40% according to the selected settings (see page 8).

- Adjustment to the type of textile:

Cotton shirts and cashmere pullovers do not demand the same wash, which is the reason why your washing machine adapts its tumble speed to each type of textile.

For your information : The time shown on the washing machine when you select a programme corresponds to the time for an average load. This time is adjusted, once the appliance has taken its measurements and then throughout the programme, according to any unexpected events (too much washing powder, an unbalanced load when spinning, etc.).

Easy start

Your washing machine memorises your habits. Every time a programme starts, the machine records the options that you use most frequently, and proposes these same options as soon as you switch on the appliance.

4 - REGULAR CARE



4.1 - AVOIDING BAD SMELLS

Respect the installation instructions for the drain hose described in paragraph 1.3, leave the lid open after the cycle has finished. Complete an empty cycle with a washing agent at 60°C or 90°C once a month.

4.2 - PRODUCT DRAWER (Diagram 4.1)

- Release the drawer by pressing the Bumps **A**, pull it towards you. Remove the siphon **B**, separate the drawer **C** from the trim **D**.
- Rinse everything under the tap.
- Refit all of the parts of the drawer, then fit it back under the lid of the machine.

4.3 - PUMP FILTER (Diagram 4.2)

- Release the part **A** at the bottom of the drum by pushing a pen into the hole **B** and push it to the right.
- Turn the drum towards the front.
- Remove the pump filter **C**, remove any objects that may be inside and rinse everything under the tap.
- Refit both parts **C** and **A**.
- Push the part **A** to the left until it clicks into place.




4.4 - OUTSIDE PANELS

Do not use abrasive products or scourers. Use liquid soap. Dry with a soft cloth.



Incidents may arise when using your washing machine :

If the screen shows one of the following errors and an alarm beeps, before calling Customer Service:

 5.1	check whether: the water tap is open.	 5.2	check whether: - the lid is not closed correctly. - the drum is block	 5.3	check whether: The pump filter is clogged ; clean the filter (<i>paragraph 4.3</i>).
---	--	--	---	--	---

Here are a few points to check :

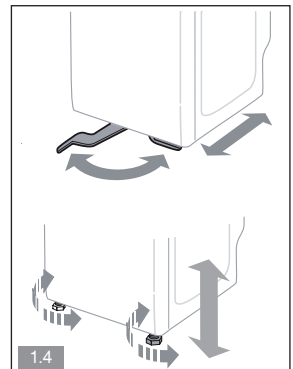
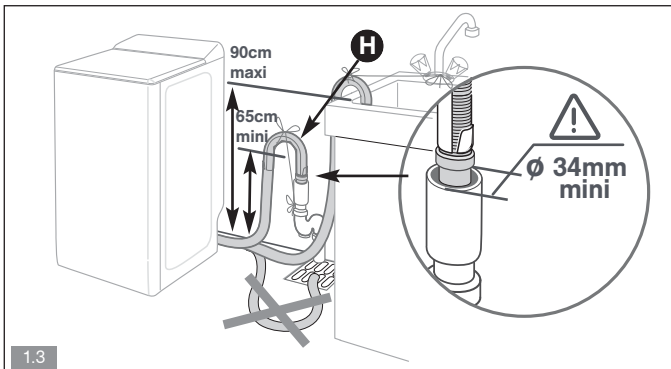
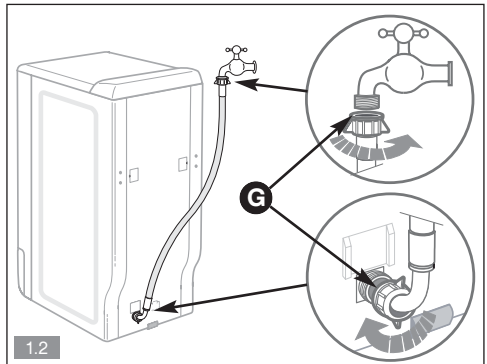
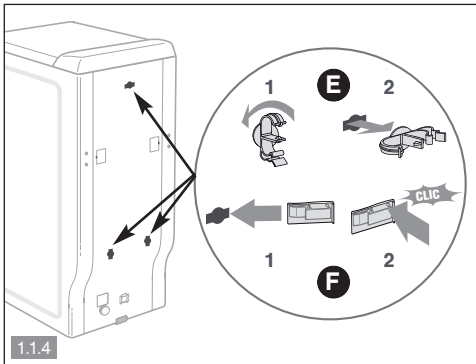
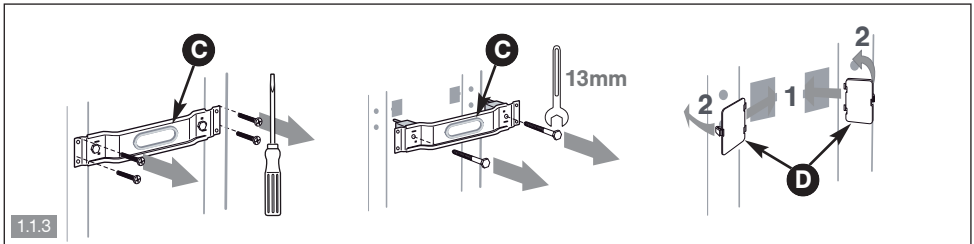
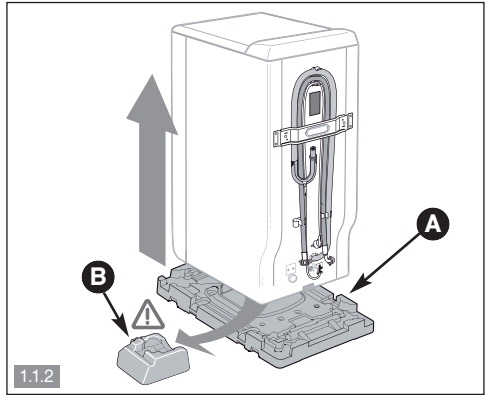
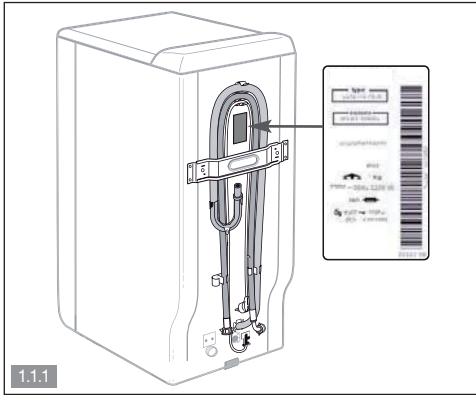
Problems :	Causes / Remedies :
The washing machine will not start :	- The appliance is not plugged in or there is a power cut. - You haven't pressed the "Start/Pause" button. - You have programmed a delayed start. - See problems 5.1 and 5.2
The linen is not or not sufficiently spun :	- You have selected a programme without spin drying or with limited spin drying. - The spin safety system has detected poor distribution of the washing in the drum : unfold the linen and programme another spin cycle. - Check the height of the curved drain part H (<i>Diagram 1.3</i>).
A puddle of water forms on the floor :	First remove the plug from the socket and turn off the water supply. - Check that the seals G are fitted and the connectors are tightened (<i>Diagram 1.2</i>). - Check the curved part is positioned correctly H (<i>Diagram 1.3</i>).
Strong vibrations when spin drying :	- The washing machine has not been released correctly (<i>Diagram 1.1.3</i>). - The floor is not level (<i>paragraph 1.4</i>).
The machine does not drain :	- You have programmed "Full drum stop". - The drain hose is bent or squashed (<i>Diagram 1.3</i>). - See problem 5.3
The lid does not open :	- The programme has not yet finished. - Wait until the temperature inside the machine drops.
The drum is blocked :	- If you have access, check that a small item of linen is not trapped between the drum and the tank, by removing part A from the bottom of the drum (<i>Diagram 4.2</i>). - See problem 5.2
The drum doors open very slowly (on machines fitted with gently opening doors) :	- Your machine has not operated for a long time. - It is located in too cold a position. - Detergent residue (powder) is blocking the hinges. - in all cases, everything returns to normal after the doors have opened initially.
The display is switched off at the end of the programme:	- The display is automatically switched off 5 minutes after the end of your programme in order to save energy. Press any button to restart the display.

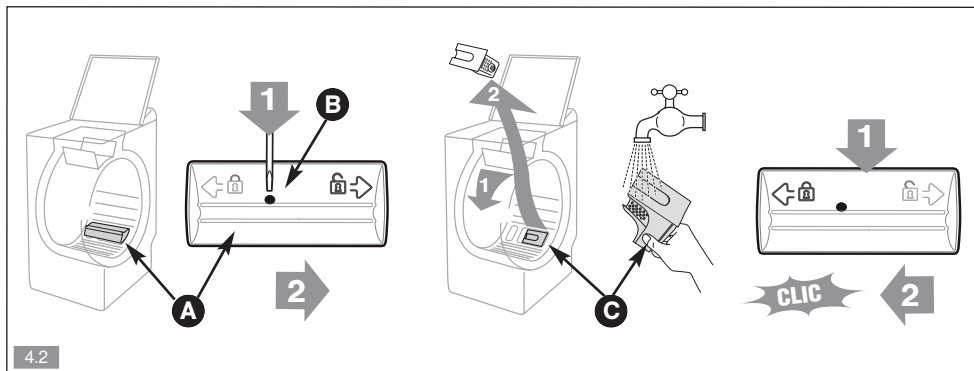
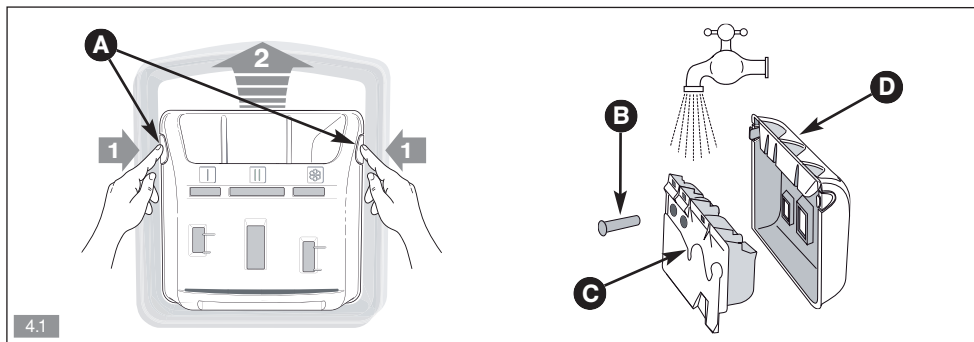
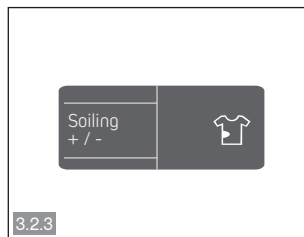
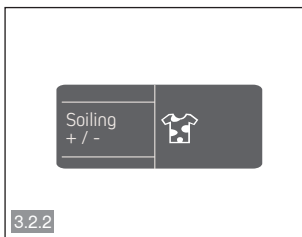
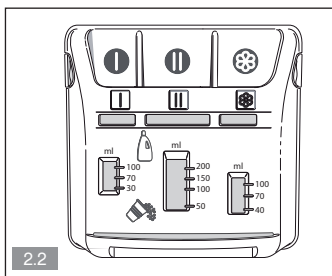
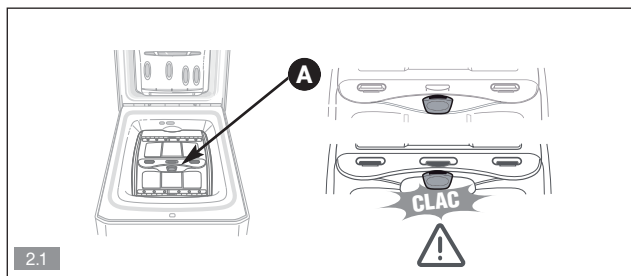
Note on operation - this is not an incident :

The programme time decreases or increases during the wash	This is not a fault. The length of time displayed at the start of the programme is updated according to the load in the machine (automatic weighing). This guarantees perfect washing results and water and energy consumption appropriate to the load. This is normal. The spin safety and anti-foam systems may extend the initial programme time displayed.
--	--











Any work on your appliance must be carried out by a qualified professional who is a dealer of the brand. When you call, so that we can handle your case efficiently, make sure you have the full references of your appliance (commercial reference, service reference, serial number). This information is on the ID plate (*Diagram 1.1.1*).

Original parts:

When work is required, request exclusively original certified spare parts.